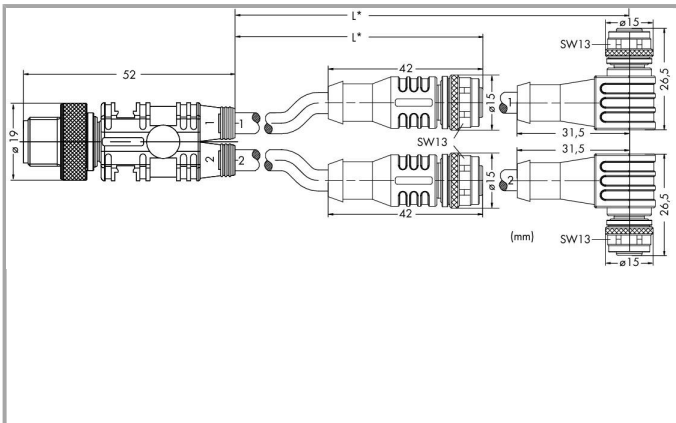
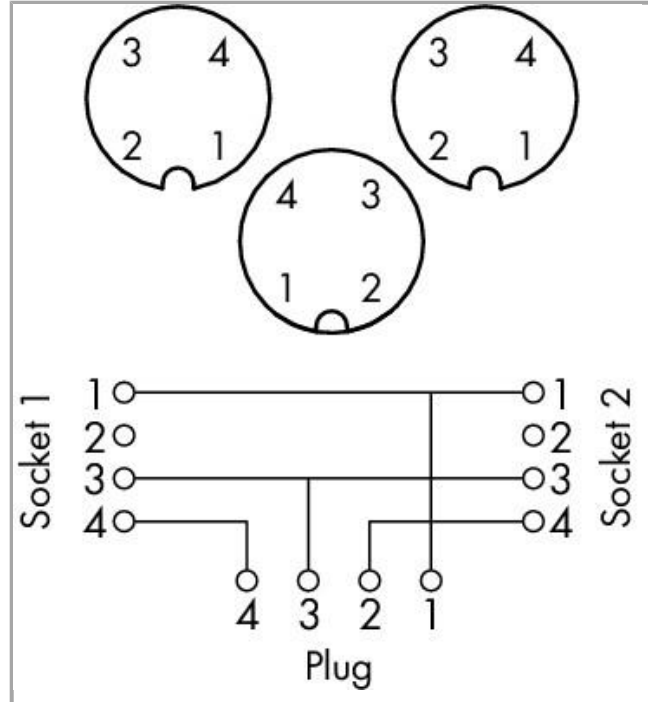


Data sheet | Item number: 756-5516/040-010

Sensor/actuator distribution cable; fitted on both ends; 4-pole; 2 x M12 socket, straight; M12 plug, straight; 1 m



756-5516/040-010



Pin 1 - 4: 0.34 mm²

Item description

Short description:

- PUR, halogen-free
- Suitable for drag chains
- Good resistance to microbes, hydrolysis, oil, chemicals and UV radiation.
- Good chemical resistance.
- Cable used: UL listed

Data**Technical Data**

Connection type	M12 socket; M12 socket - M12 plug
No. of poles	4
Leitungsanschlussrichtung zur Steckrichtung	0°
Leitungsanschlussrichtung zur Steckrichtung (2)	0°
Steckgesichtskodierung Leitung/Adapter 1 1	A coded
Steckgesichtskodierung Leitung/Adapter 2 1	A coded
Steckgesichtskodierung Leitung/Adapter 1 2	A coded
Cable length	1 m
Operating voltage	AC/DC 250 V
Operating current	4 A
Rated surge voltage	2,5 kV

Mechanical data

Bending cycles	2 Mio.
Schleppkettentauglichkeit	yes
Color of sheathed cable	black
Durchmesser der Mantelleitung	4.5 ... 4.9 mm
Sheath material	Polyurethane (OPUR), halogen-free per DIN VDE 0472 Part 815, flame resistant per IEC 332-2, self-extinguishing
Halogen-free	Yes
Housing material	Polyurethan (PUR)
Contact material	CuSn
Contact plating	CuNi/Au
Tightening torque	1 Nm
Weight	91 g

Environmental Requirements

Umgebungstemperatur (Betrieb) bewegt	-25 ... +90 °C
Umgebungstemperatur (Betrieb) ruhend	-50 ... +90 °C
Protection class	IP67
Degree of pollution (5)	3 acc. to VDE 0110



Commercial data

Country of origin	DE
GTIN	4044918994859
Customs Tariff No.	85444290900

Downloads

Documentation

System Description

IP67 Cables and Pluggable Connectors	pdf 293.9 kB	Download
--------------------------------------	-----------------	----------

Subject to changes.